



# Furniture Design Studio

---

JINCY P. ROY | F.Y. ID. M.DES

---

# INSD- INTERNATIONAL SCHOOL OF DESIGN

---

SUBMITTED BY

Jincy P. Roy

FY ID M.Des. 2020-21

Submitted to

Niriti Ma'am

Management

Varsha Chandwani ma'am

Manisha Chandwani ma'am

---

# ACKNOWLEDGEMENT

---

The subject Furniture Design Studio has helped me to understand the details and technicalities of designing a furniture along with various material knowledge.

I would like to thank the teacher, Niriti ma'am and the management, Varsha ma'am and Manisha ma'am who gave me this opportunity to learn more about this topic.

The teaching method of Niriti ma'am was very descriptive yet to the point.

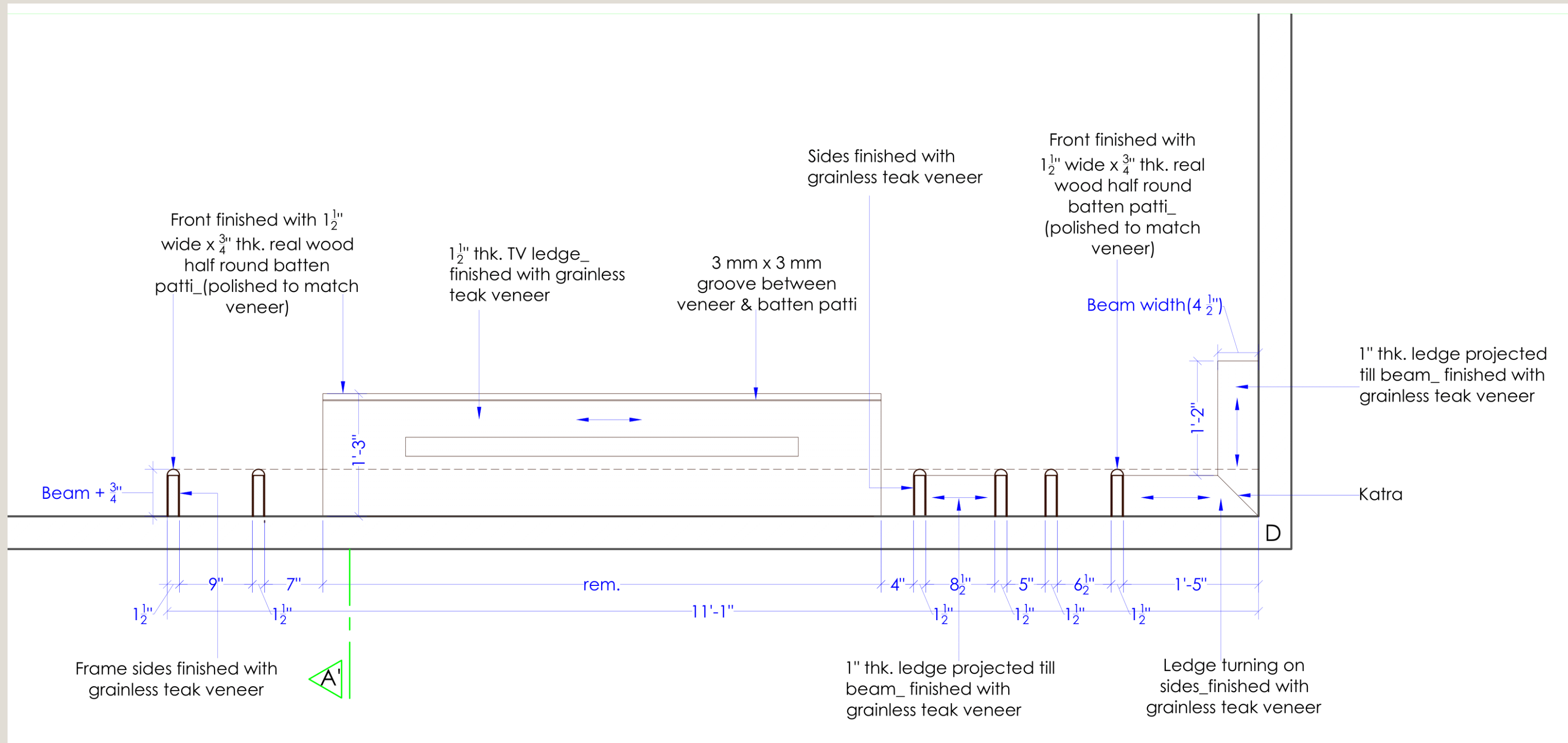
---

# CONTENT

---

- Furniture using Wood and Manufactured Board
- Pre-school furniture made of Plastic
- Traditional Leather chair/Single seater sofa
- Rattan Furniture
- Metal Furniture 1
- Metal Furniture 2
- Foam Furniture

# Wood & Manufactured Board

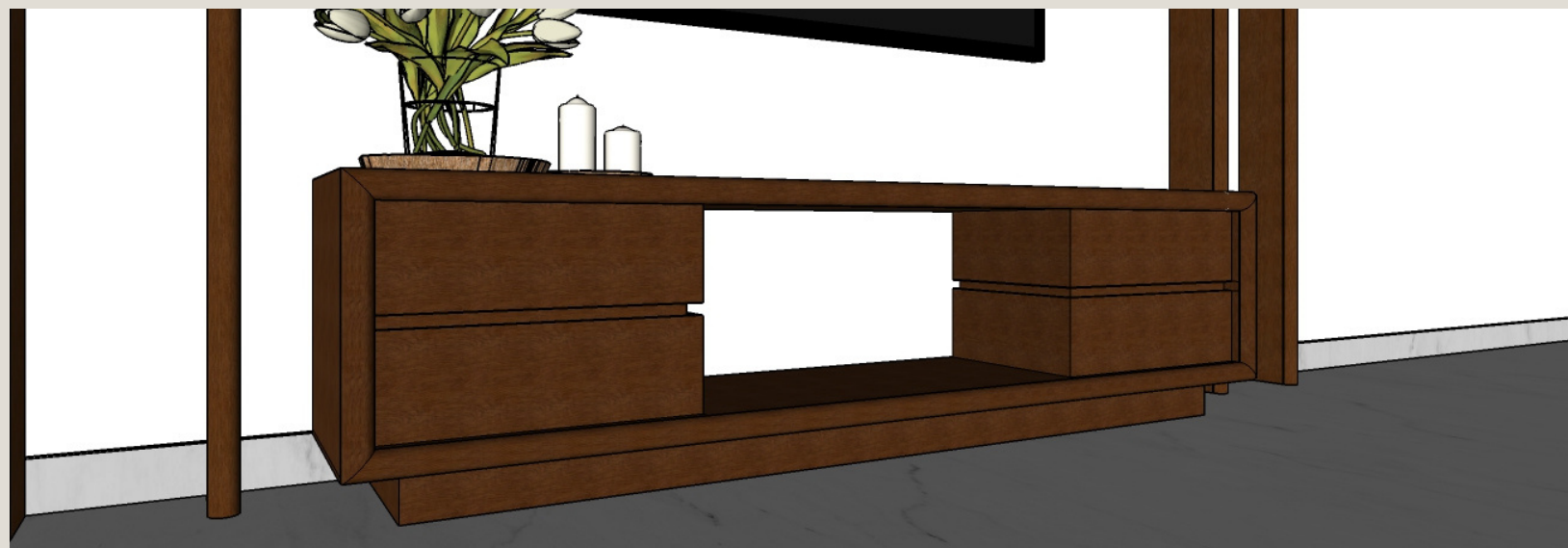


PLAN



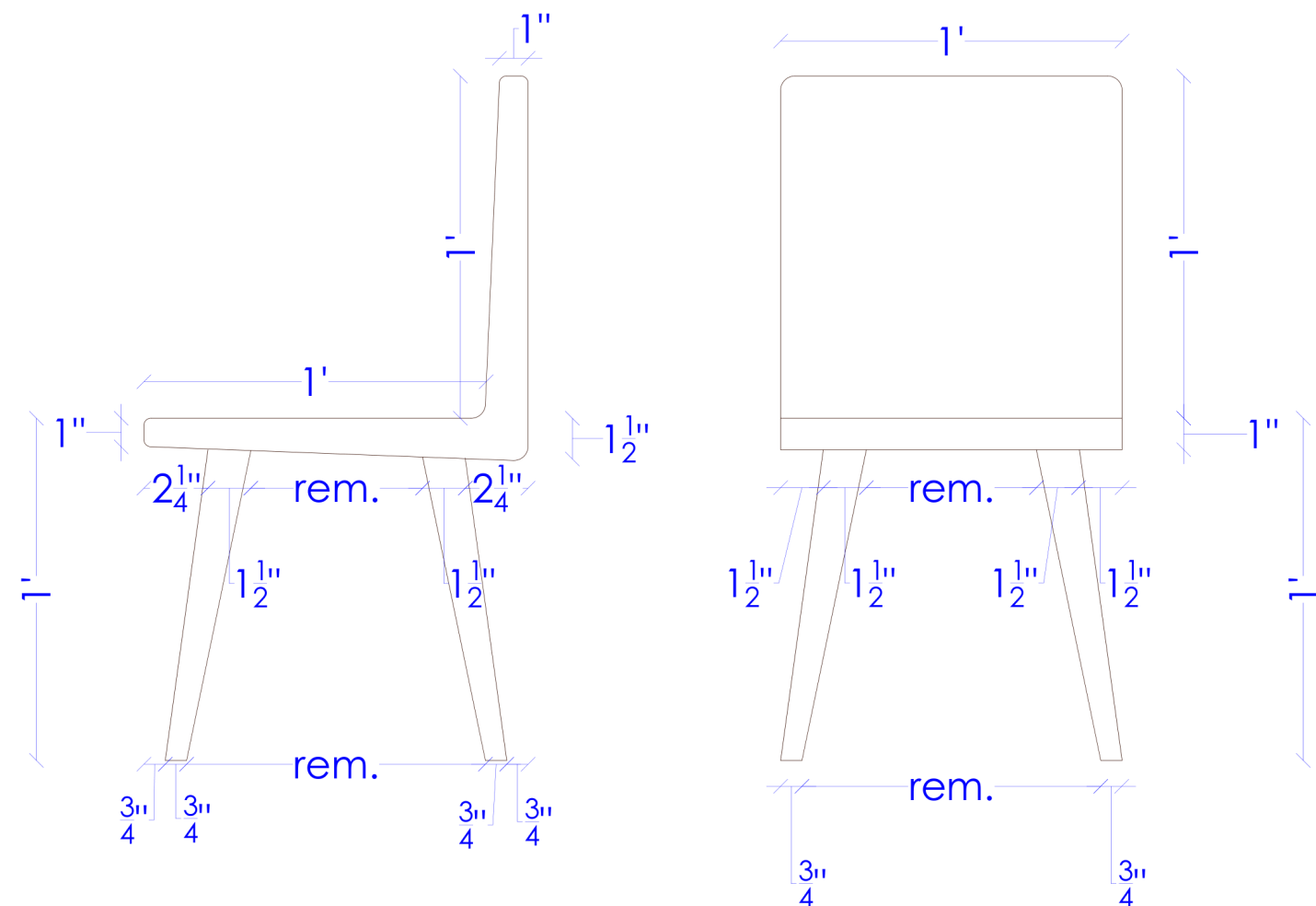


# Wood & Manufactured Board



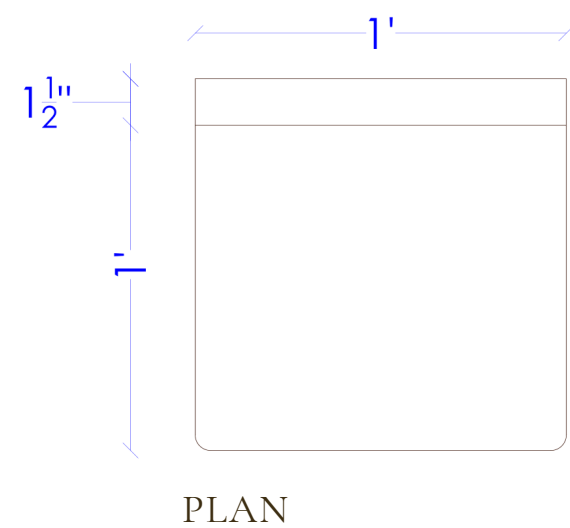
# Plastic

Pre-school furniture made with plastic with mild-filleted corners.

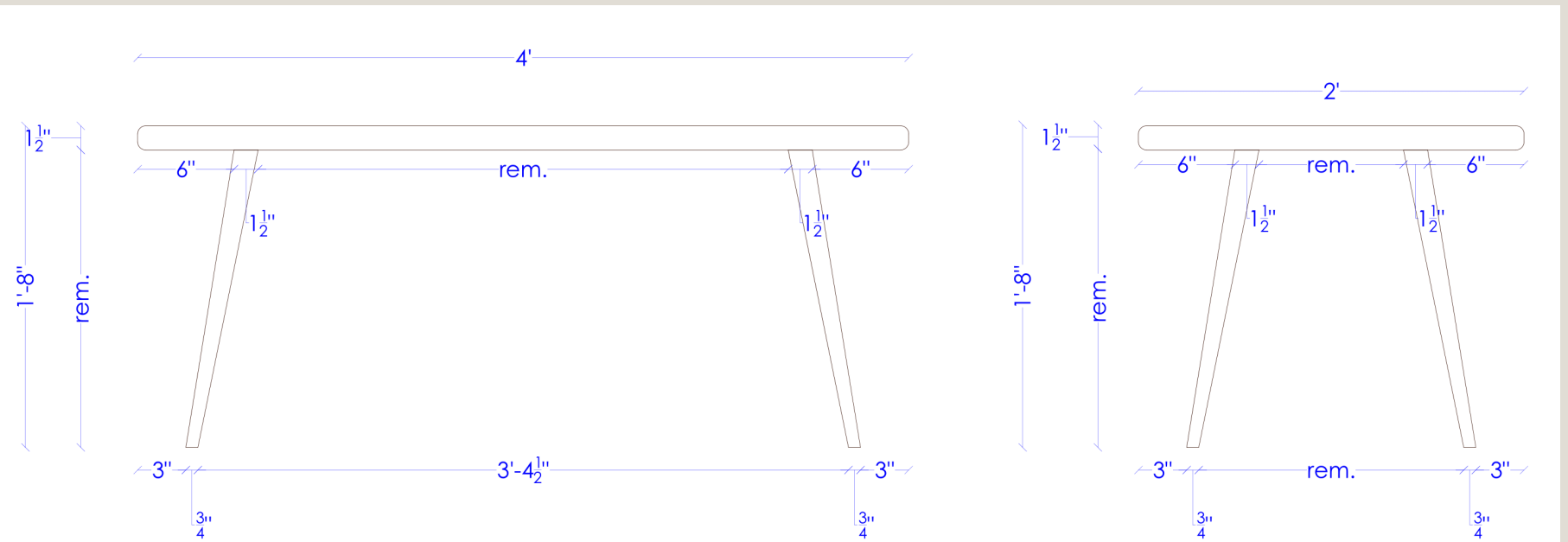


SIDE ELEVATION

FRONT ELEVATION

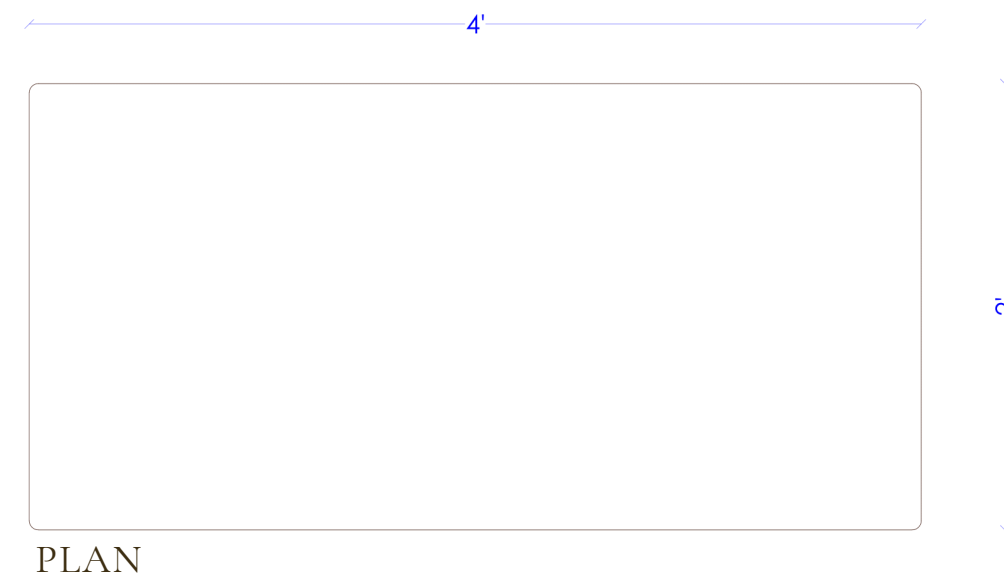


PLAN



FRONT ELEVATION

SIDE ELEVATION



PLAN

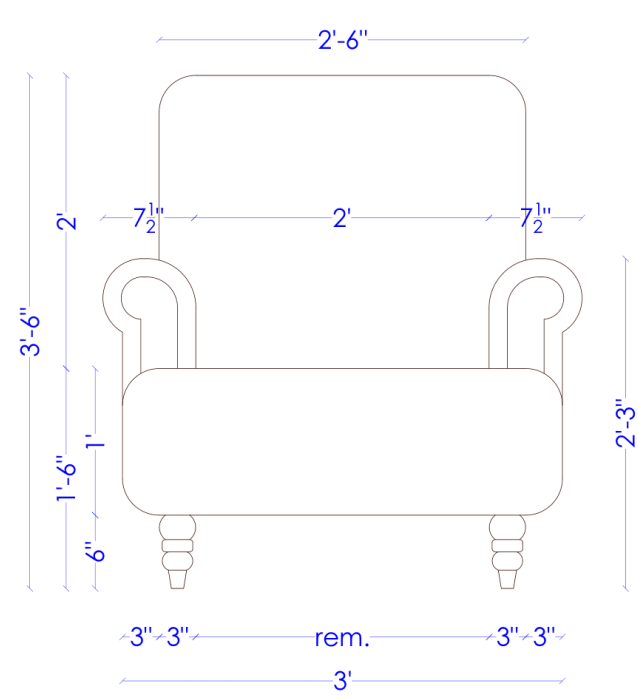
CHAIR

TABLE

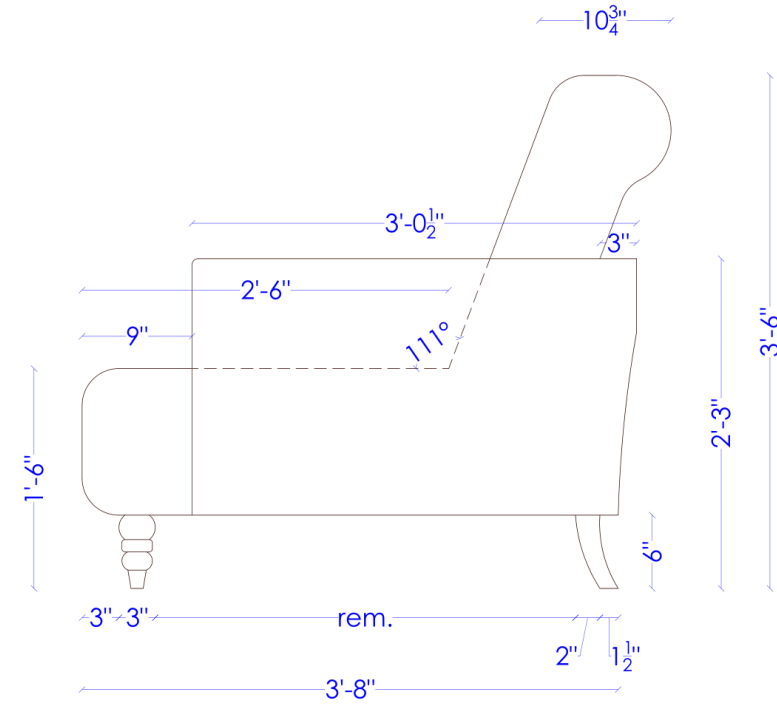


Plastic

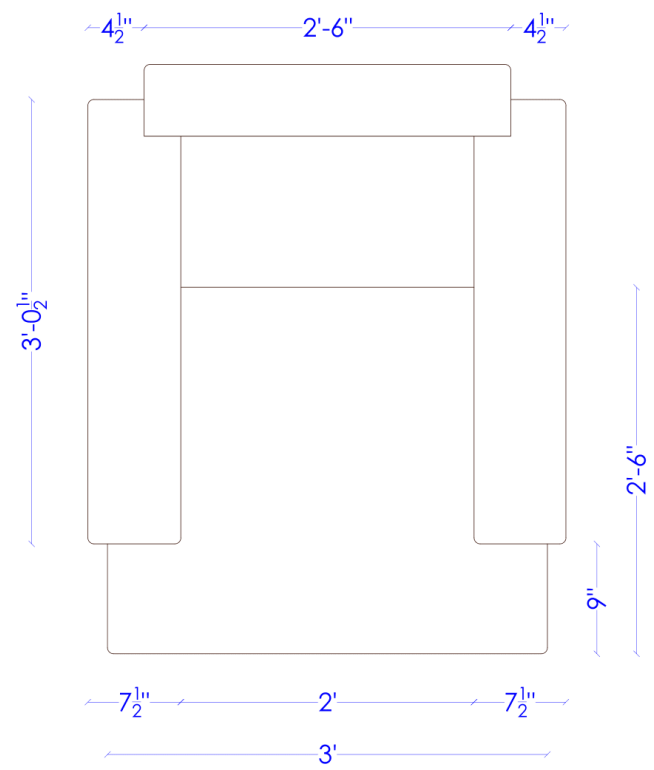




FRONT ELEVATION



SIDE ELEVATION



PLAN

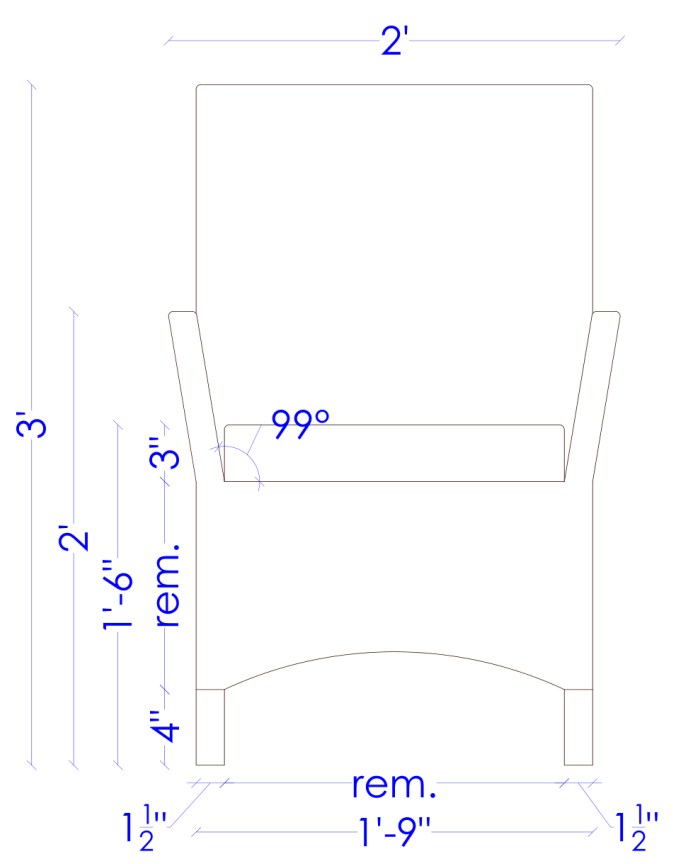
# Leather



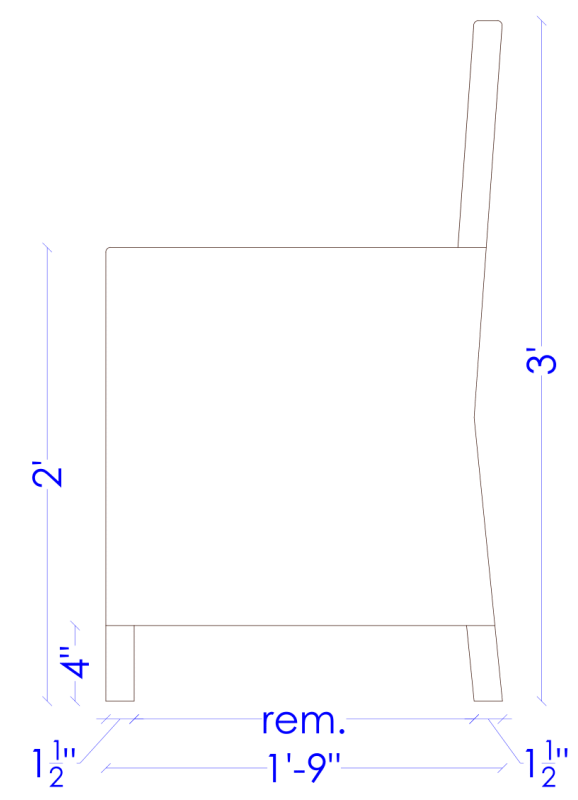
Single seater sofa finished with leather with real wood legs.

# Rattan

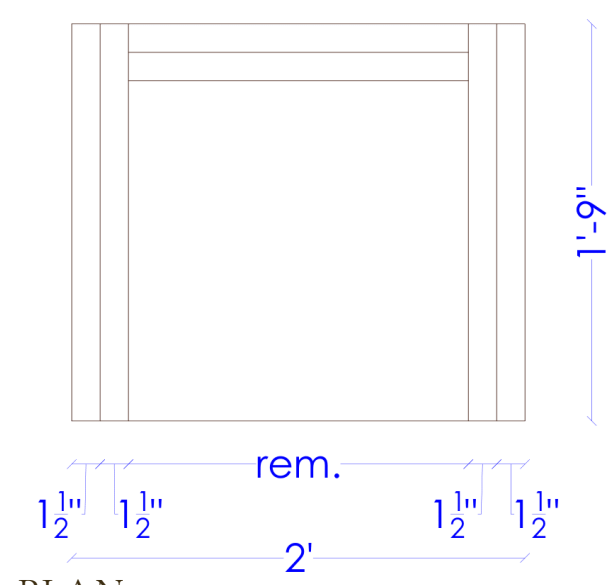
Outdoor furniture/chair made with Rattan with 3" cushioning.



FRONT ELEVATION

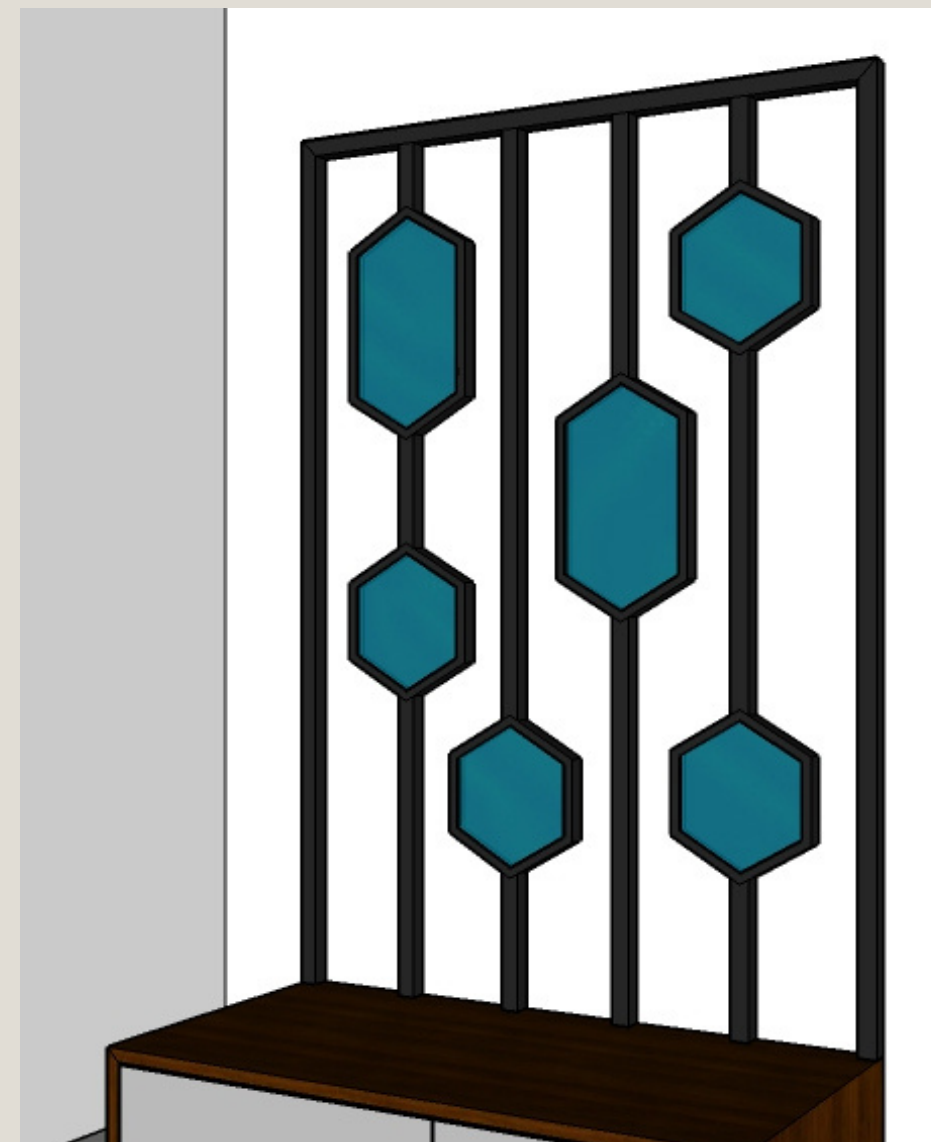
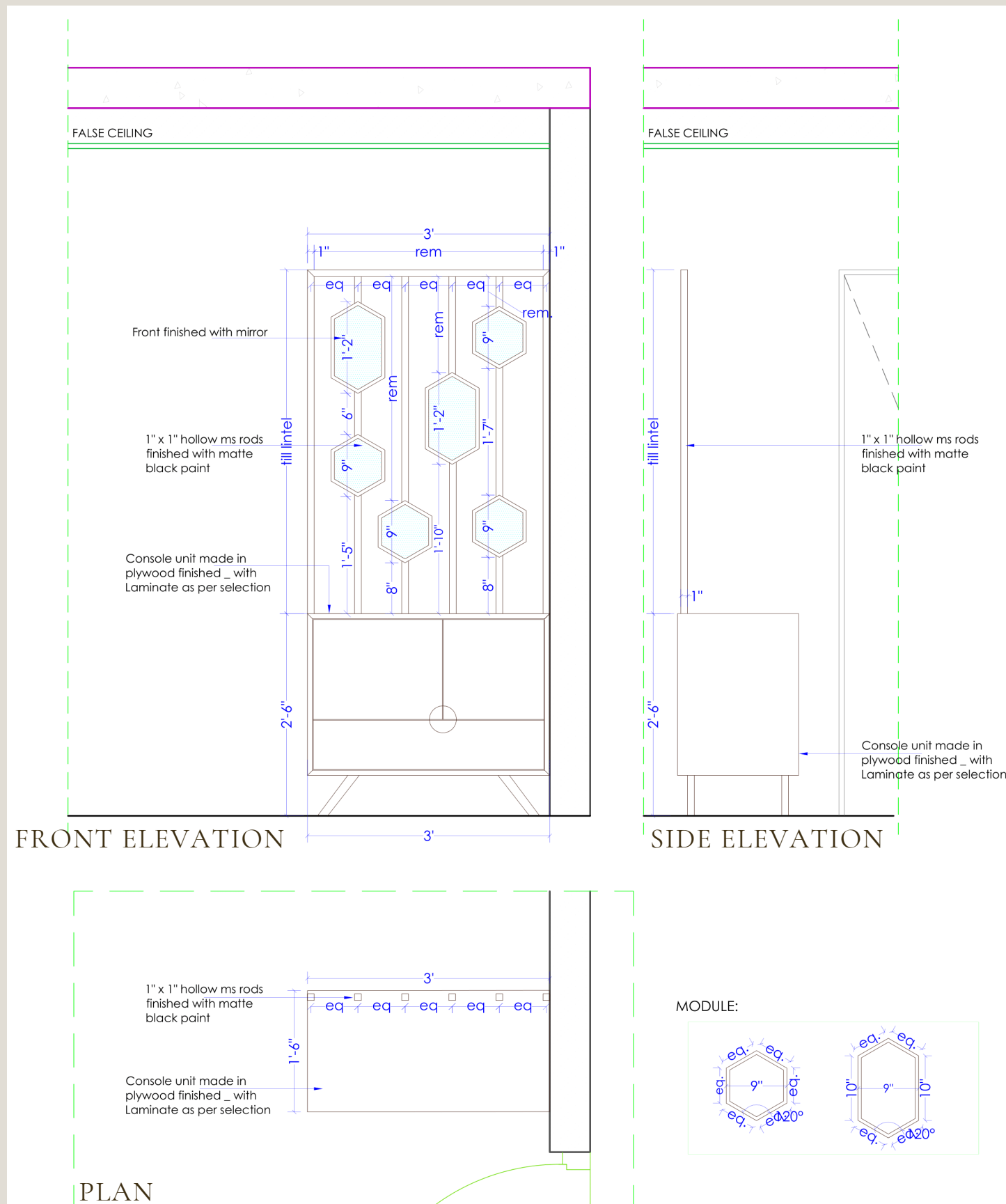


SIDE ELEVATION

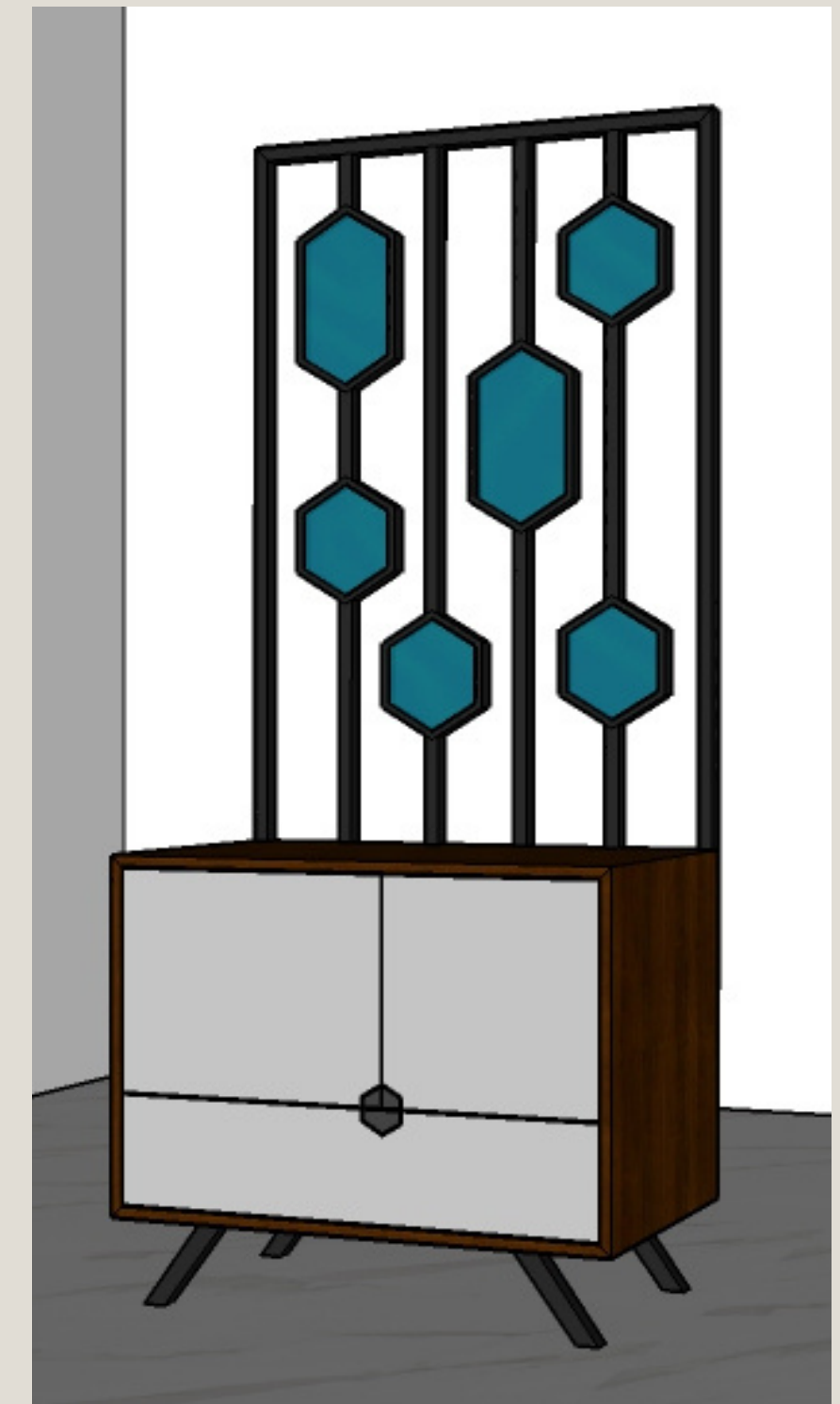


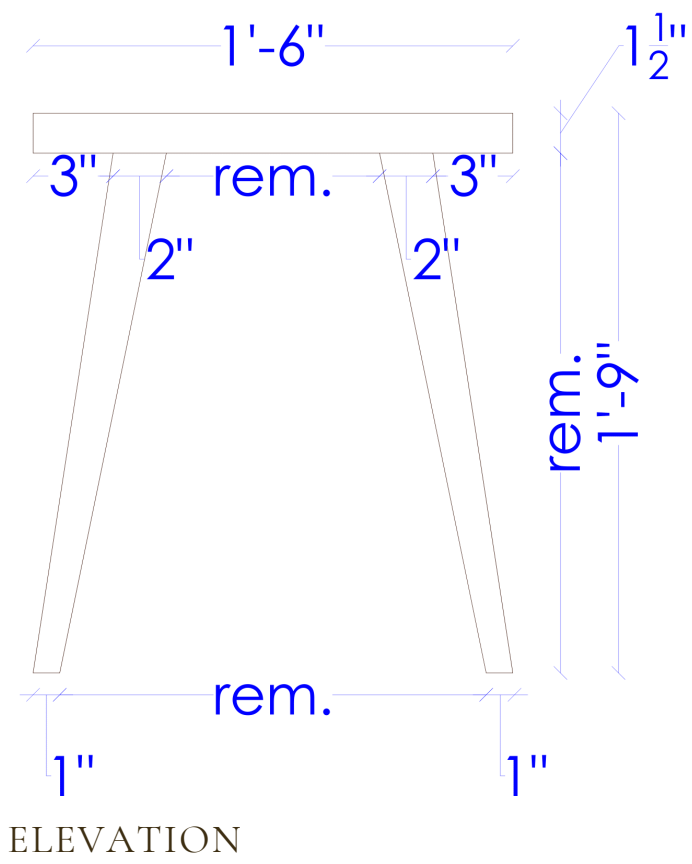
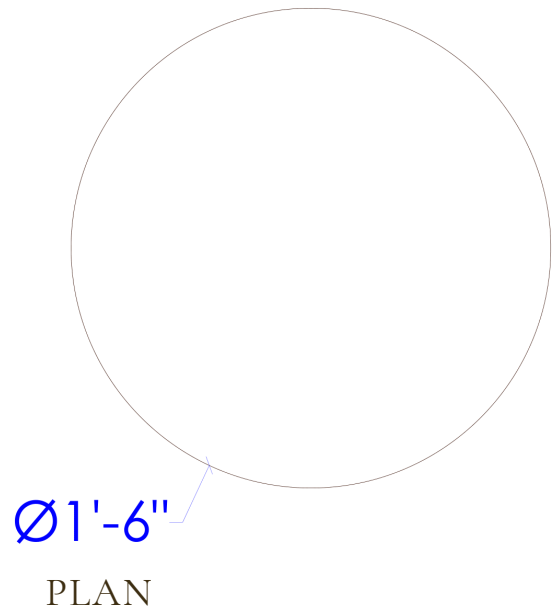
PLAN

# Metal



Console unit made with MDF top and sides finished with veneer, front finished with paint. Partition made with 1"x1" MS box sections. Hexagonal modules front finished with mirror.





# Metal

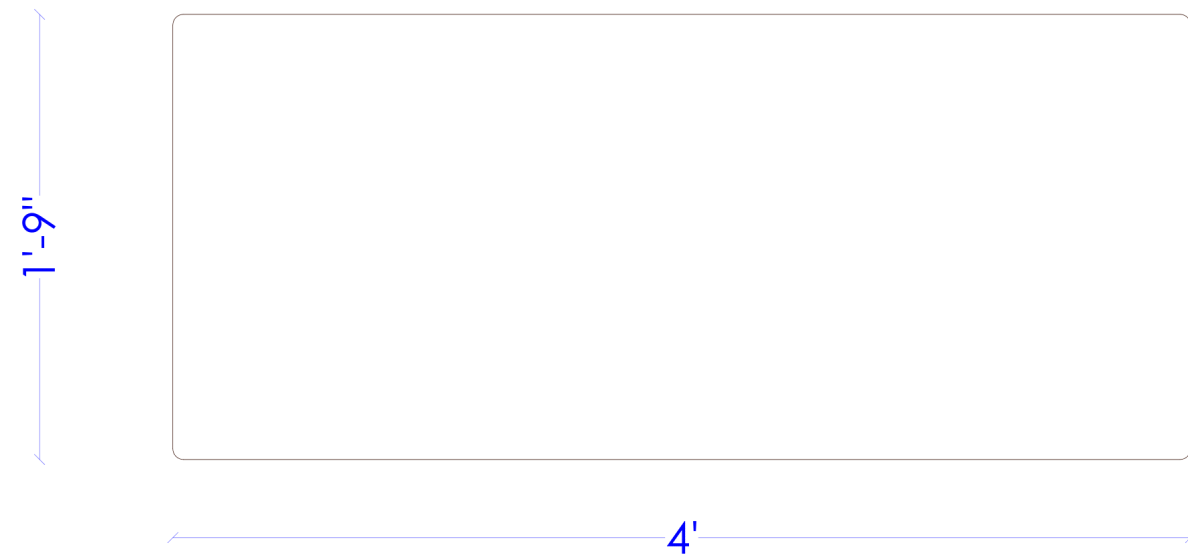
Corner table with round hollow metal legs finished with matte black paint and table top in marble.



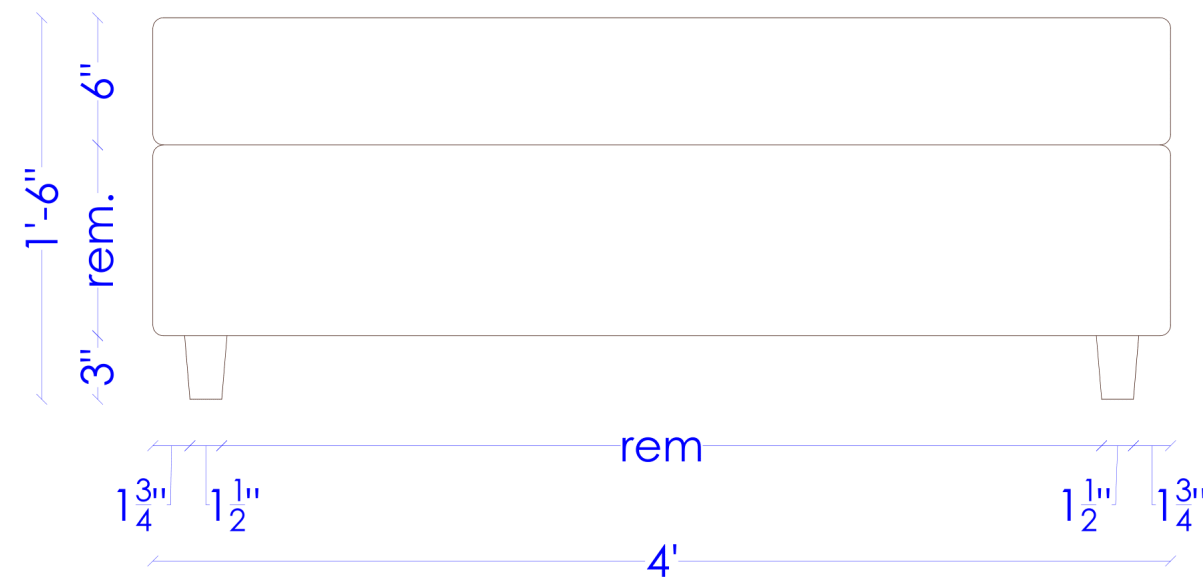


# Foam Furniture

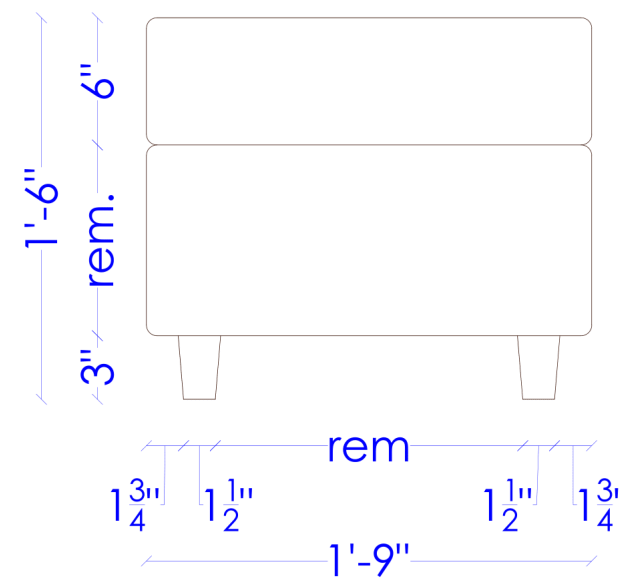
Ottoman Bench made with foam, finished with jute fabric and metal legs.



PLAN



FRONT ELEVATION



SIDE ELEVATION



---

THANK YOU

---

JINCY P. ROY | F.Y. ID. M.DES